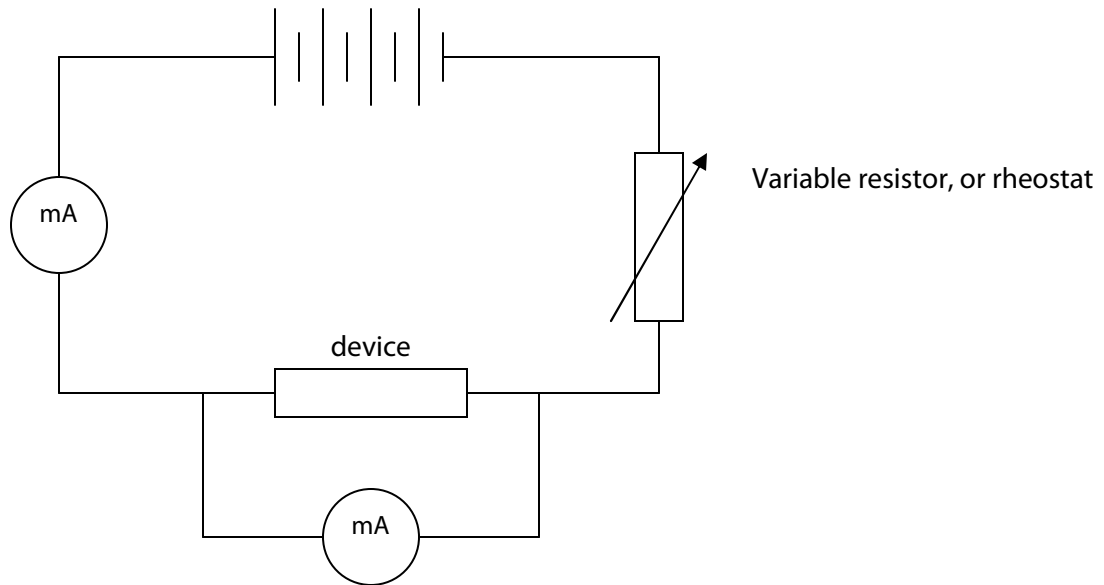
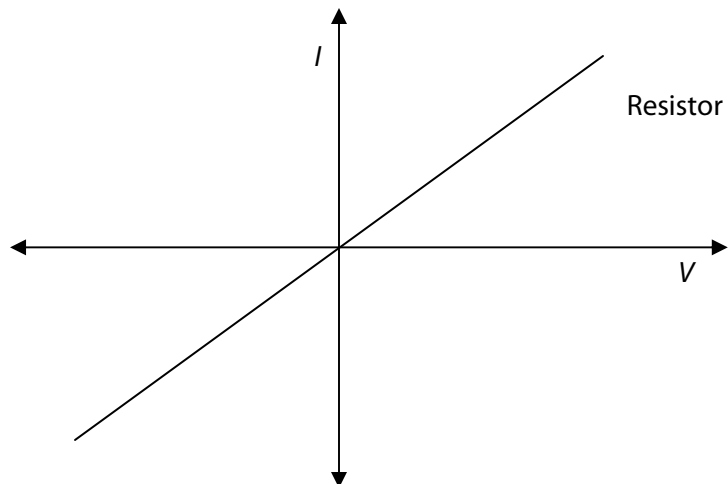


I/V characteristics of various conductors



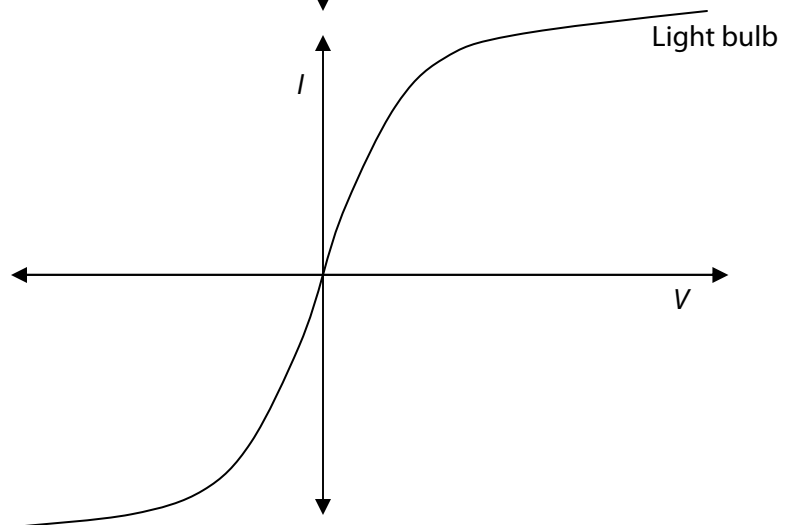
Resistor

I/mA	V/V
270	3.29
240	2.96
210	2.58
180	2.23
150	1.86
120	1.50
90	1.13
60	0.79
30	0.42
0	0
-30	-0.42
-60	-0.78
-90	-1.12



Light bulb

I/mA	V/V
280	3.72
230	2.50
200	1.98
180	1.59
170	1.45
160	1.25
150	1.10
140	0.93
120	0.71



100	0.46
60	0.13
50	0.10
0	0.00
-50	-0.10
-100	-0.45
-260	-3.17
-240	-2.70
-270	-3.40
-280	-3.65

Diode

I/mA	V/V
210	3.40
180	3.02
150	2.66
120	2.27
90	1.91
60	1.54
30	1.14
0	0
-30	0
-60	0
-90	0
-120	0
-180	0

